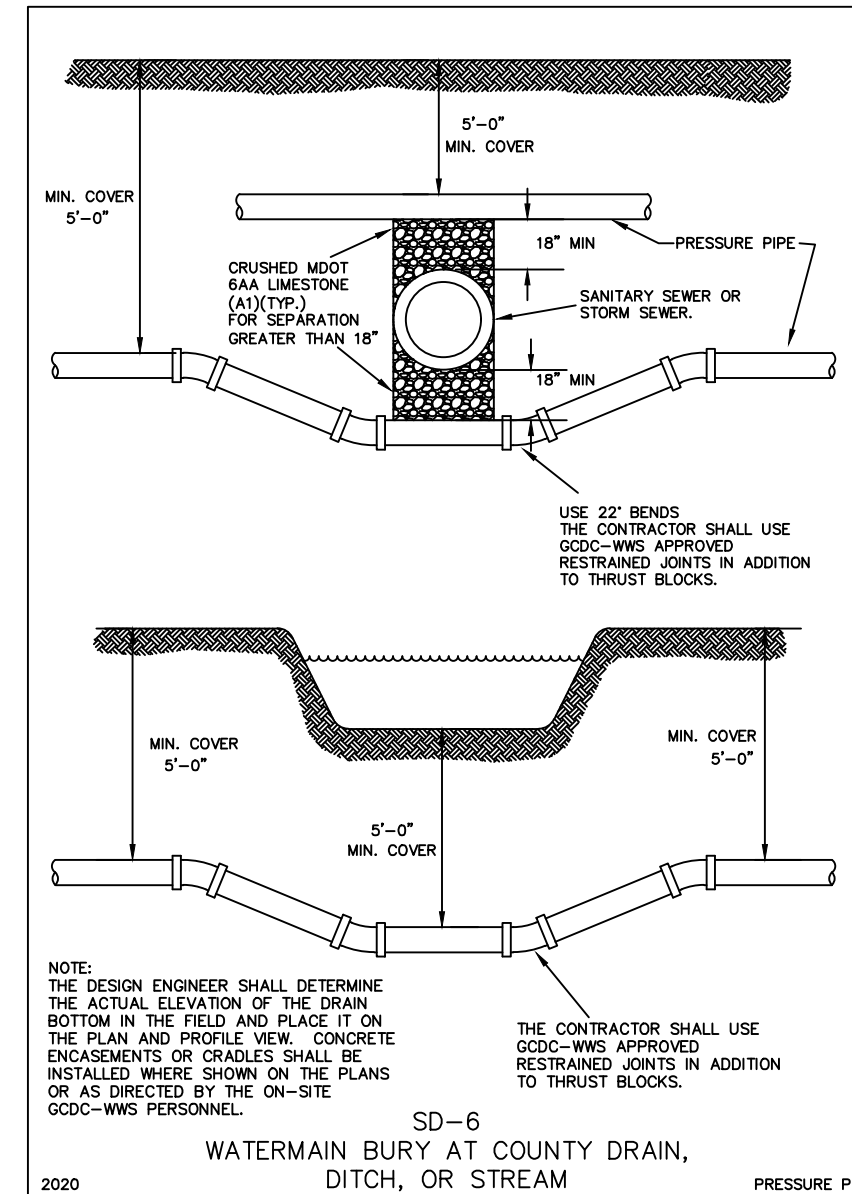
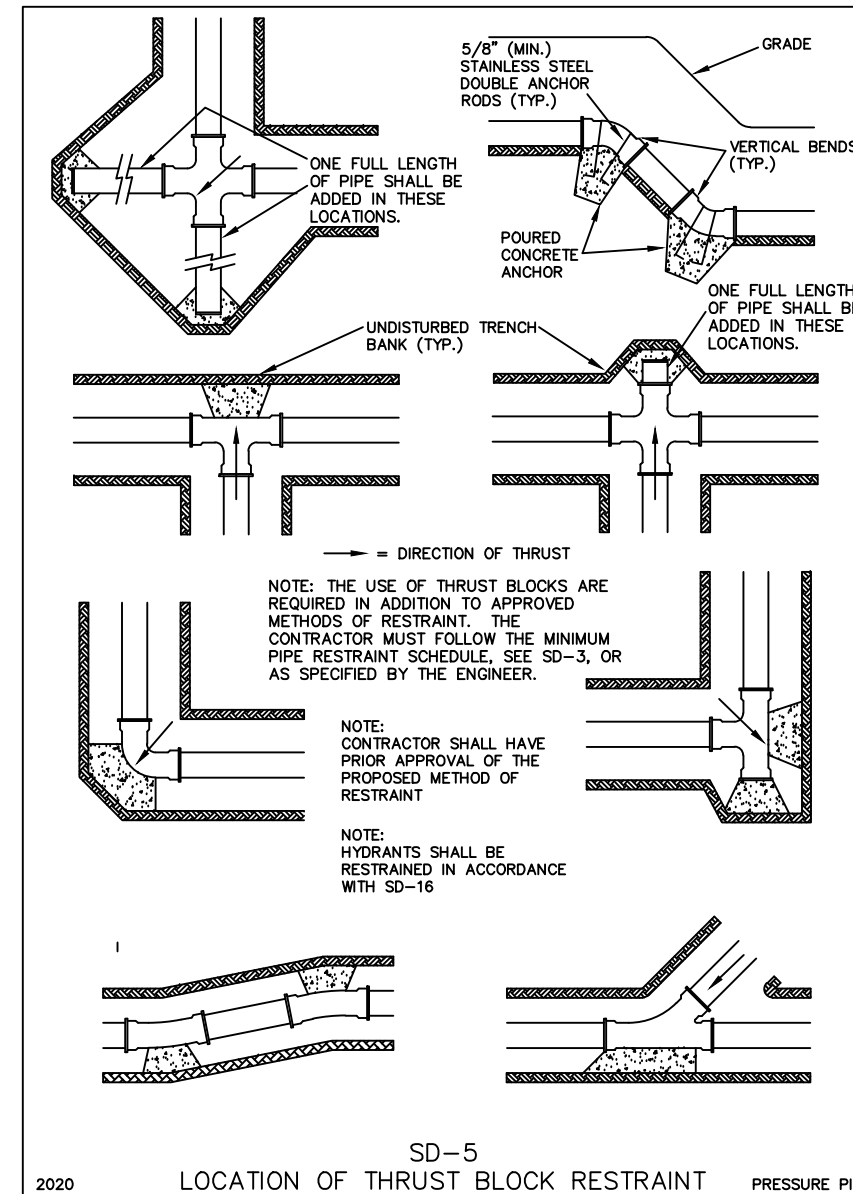
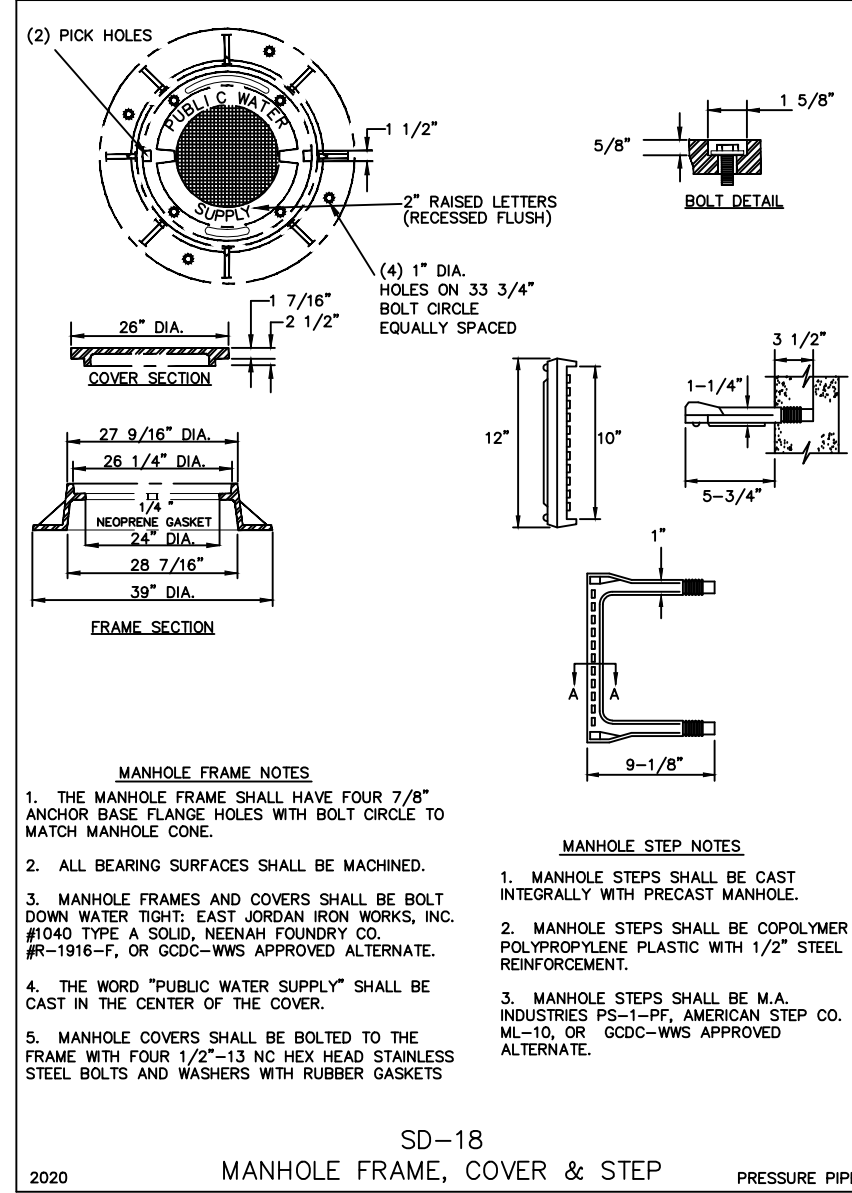
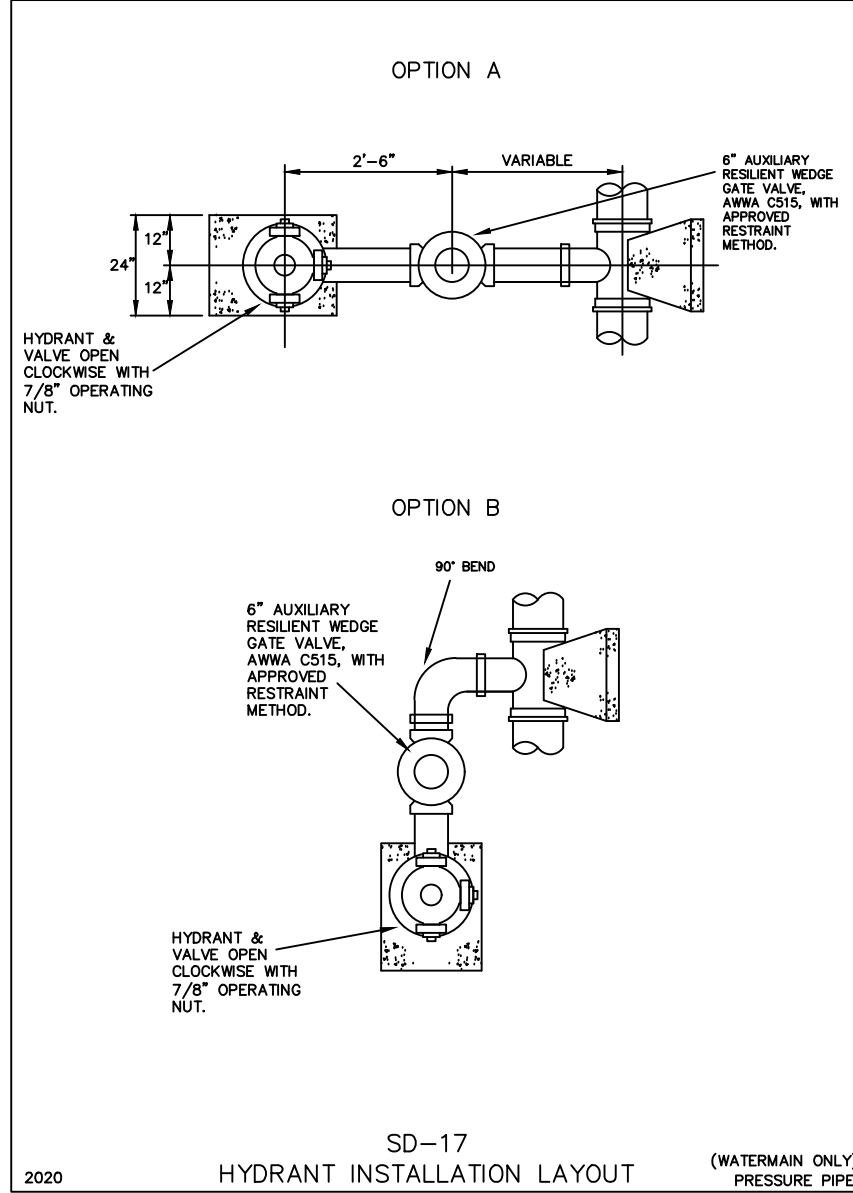
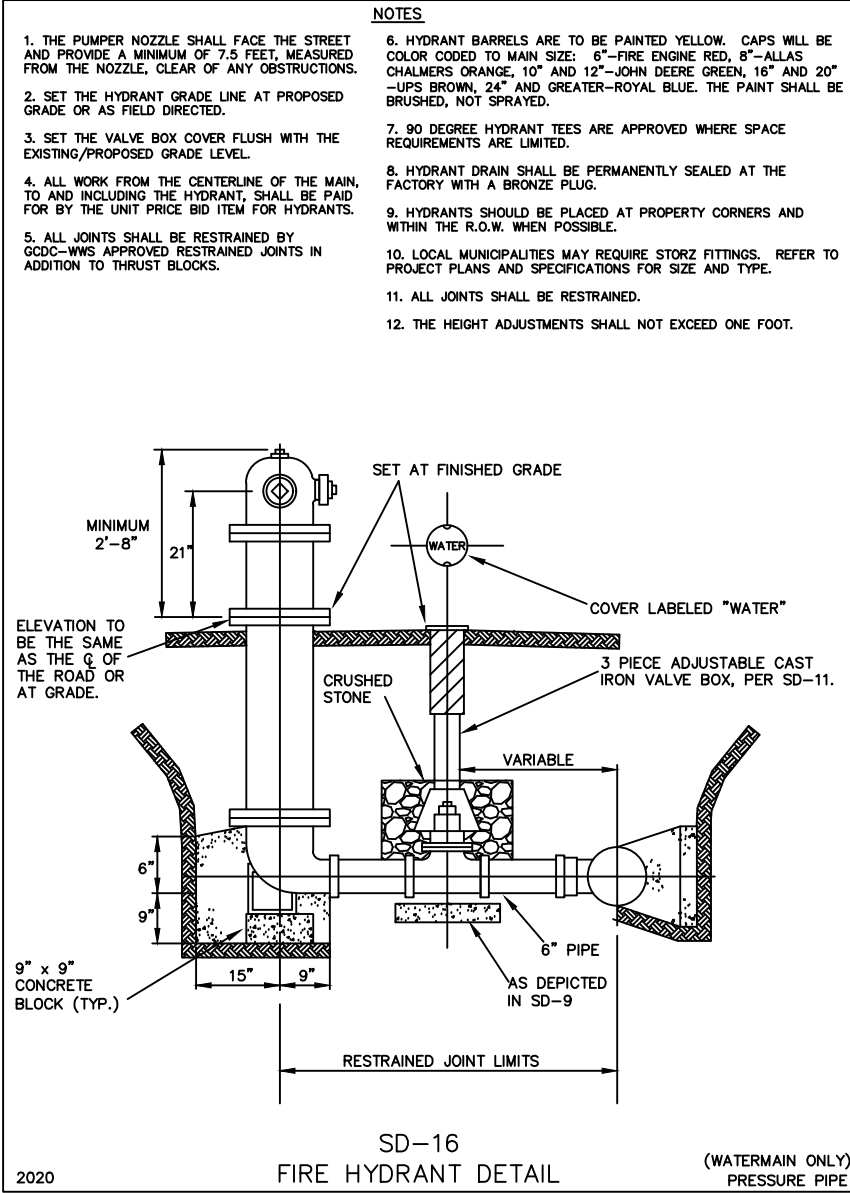
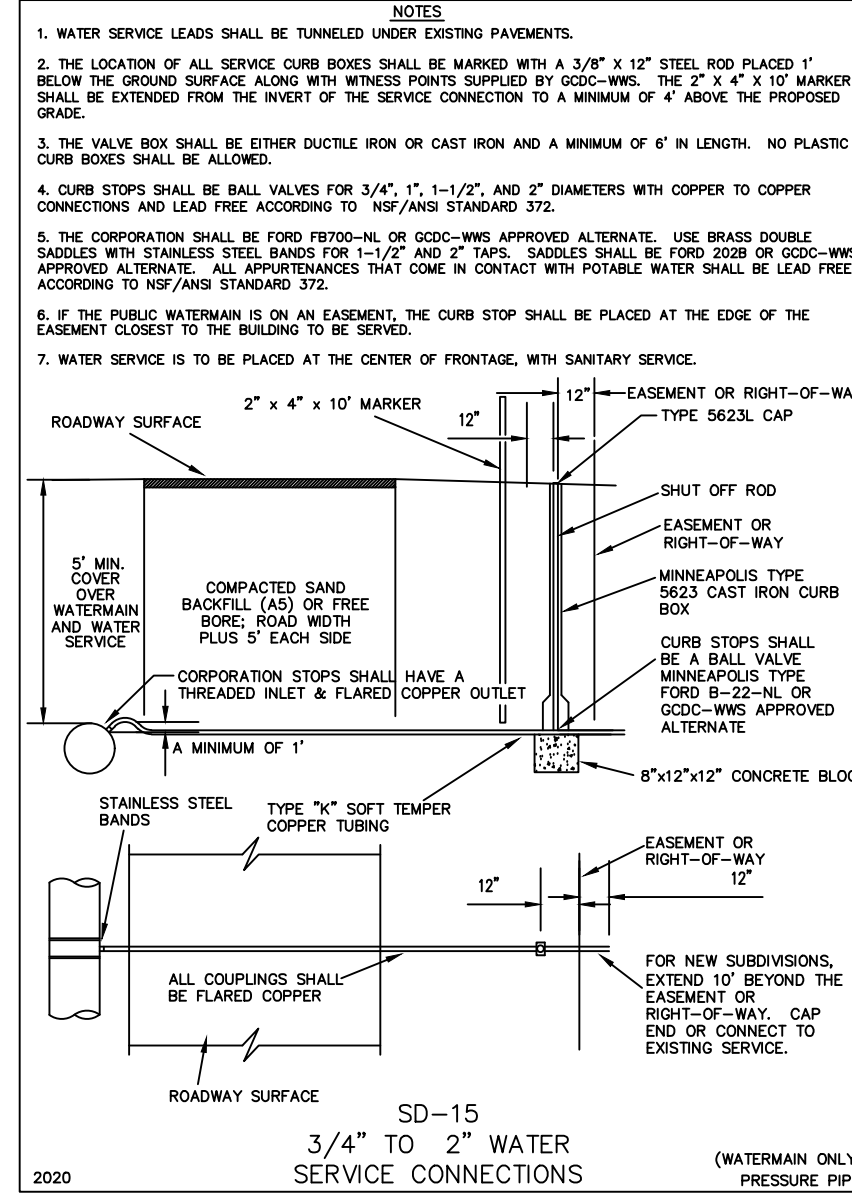
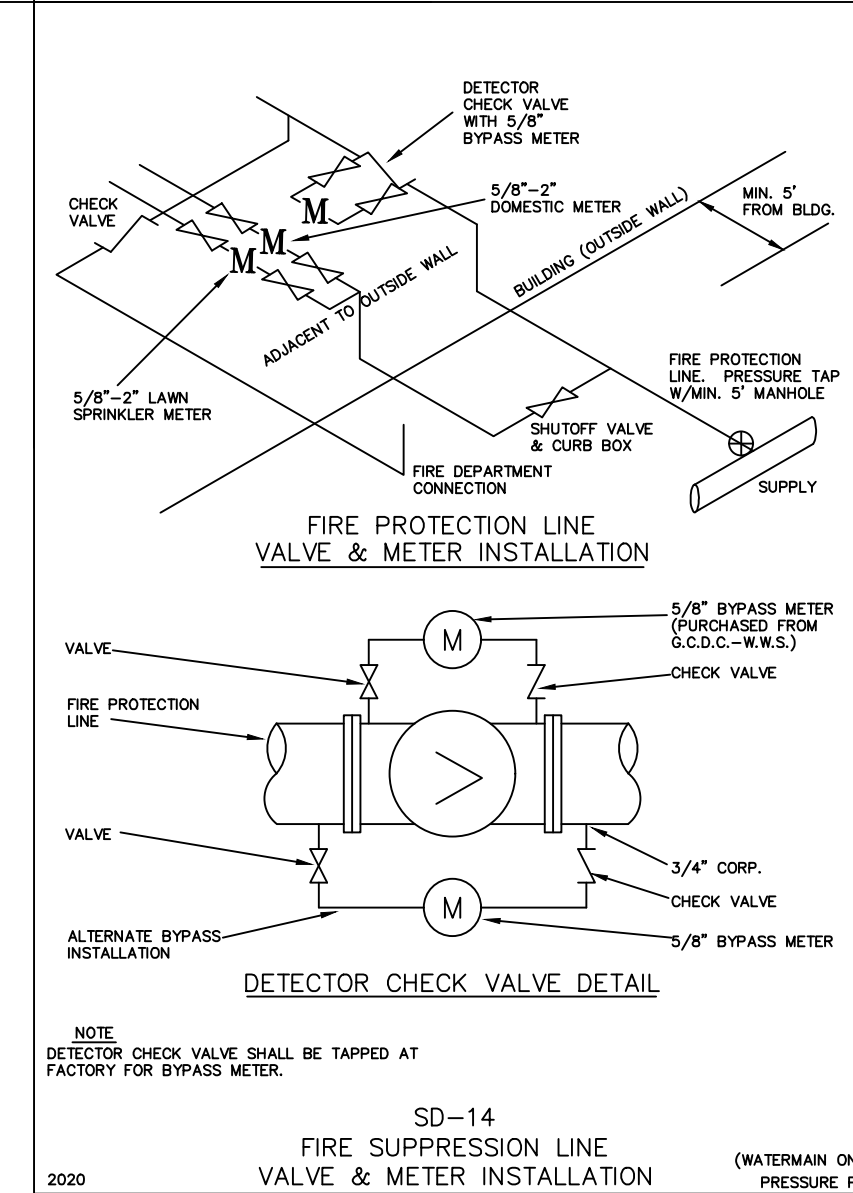
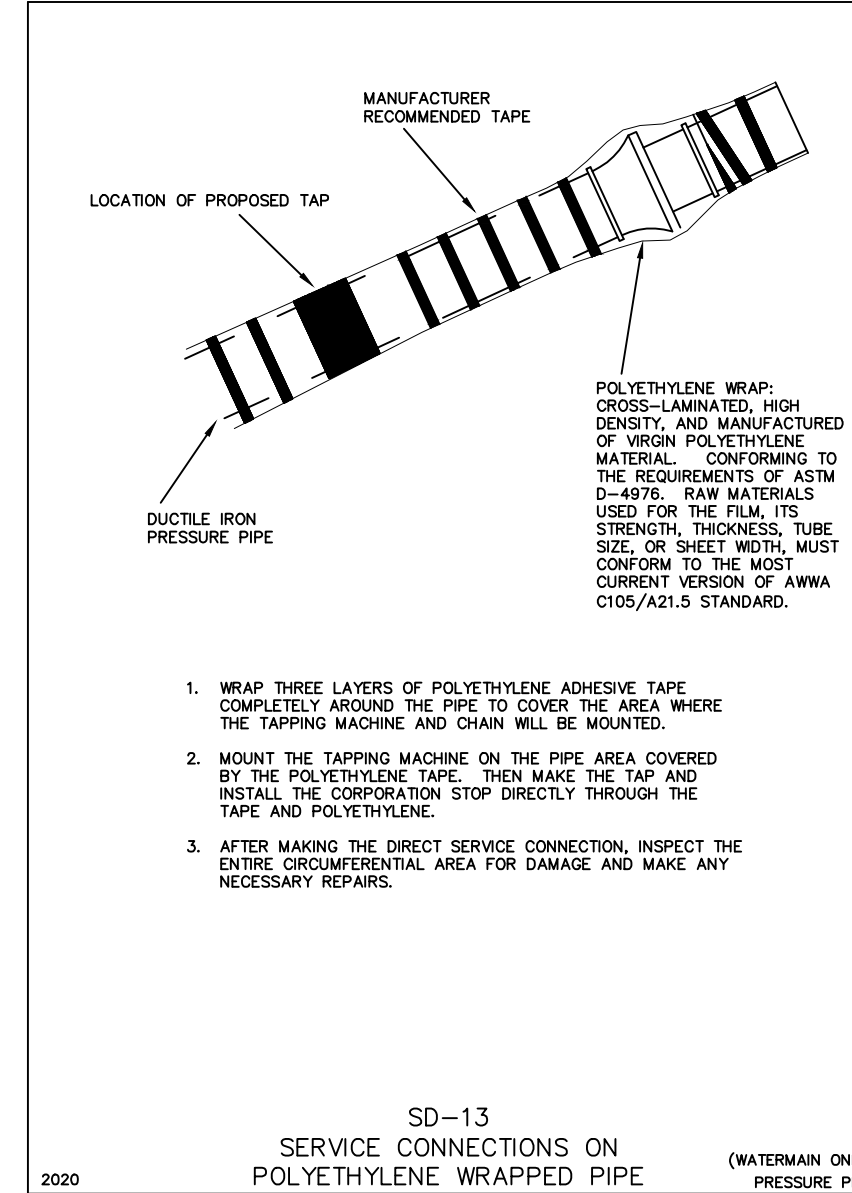
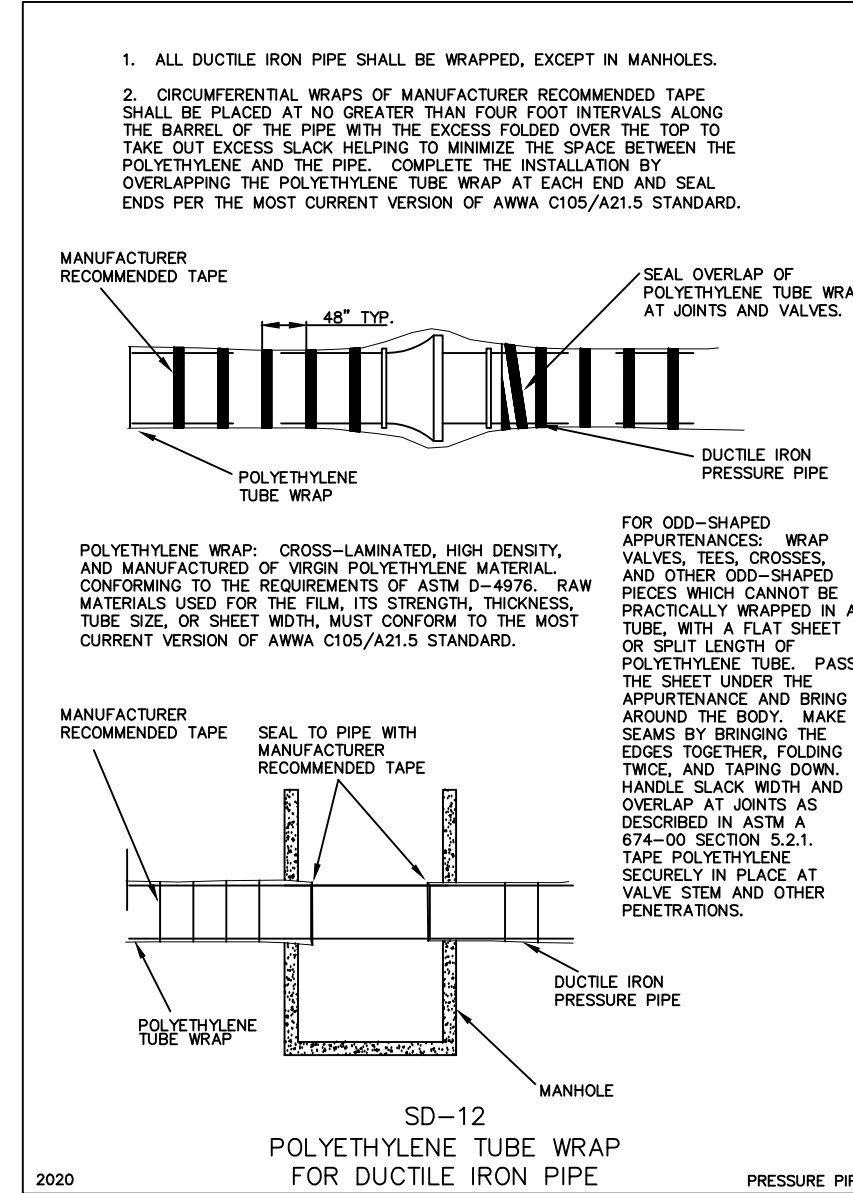
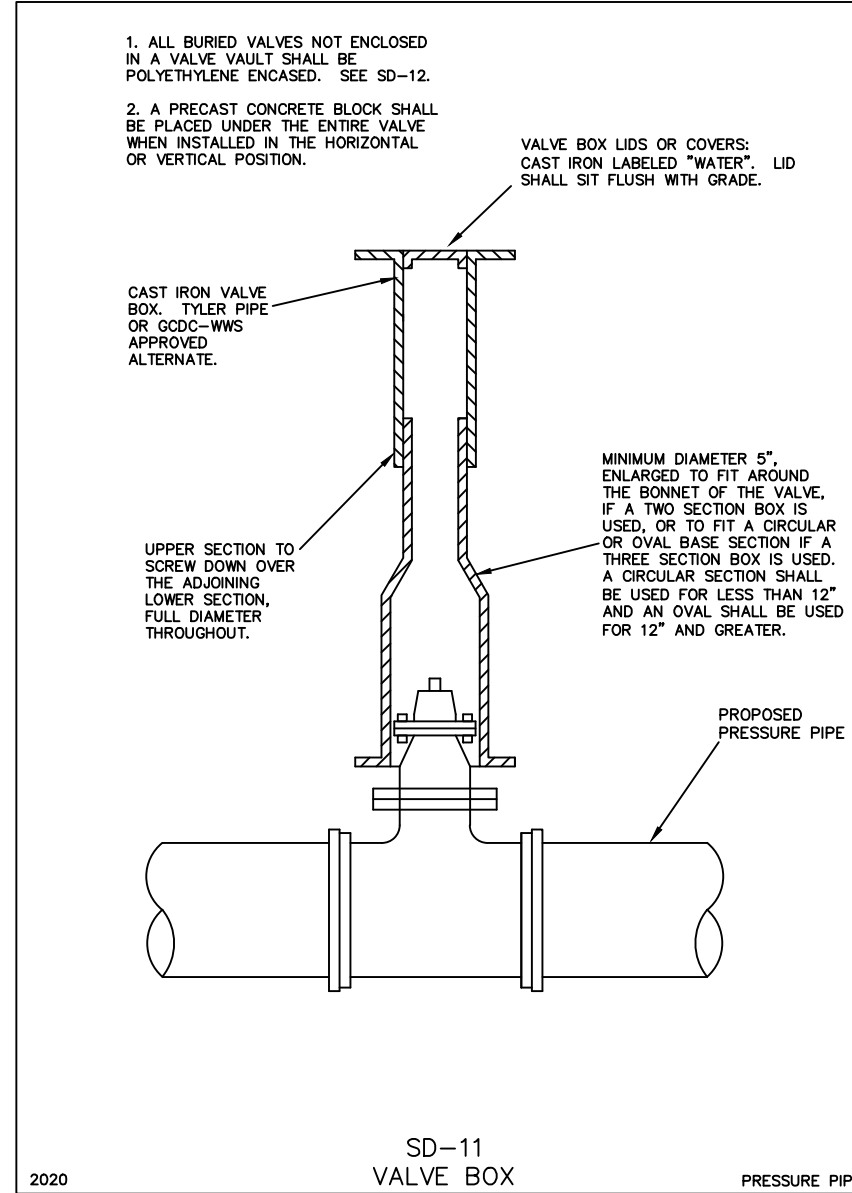
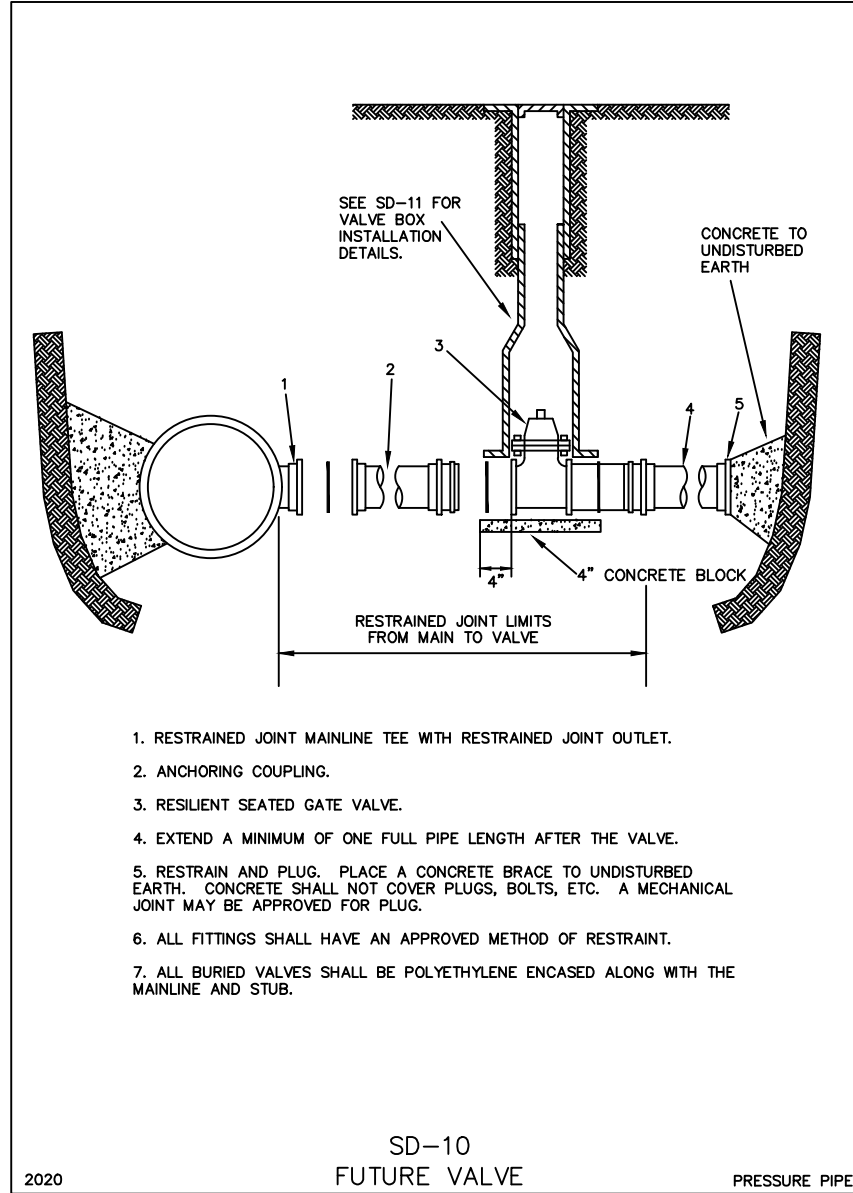
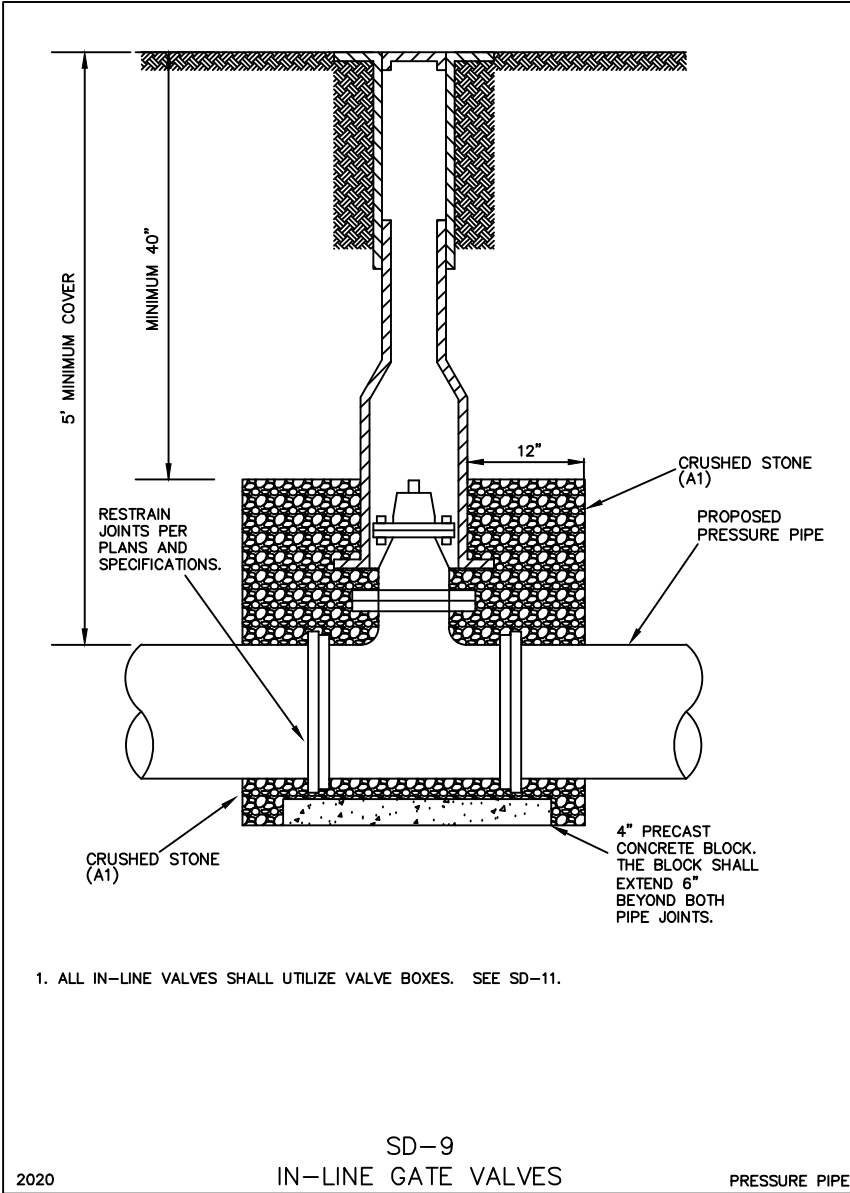
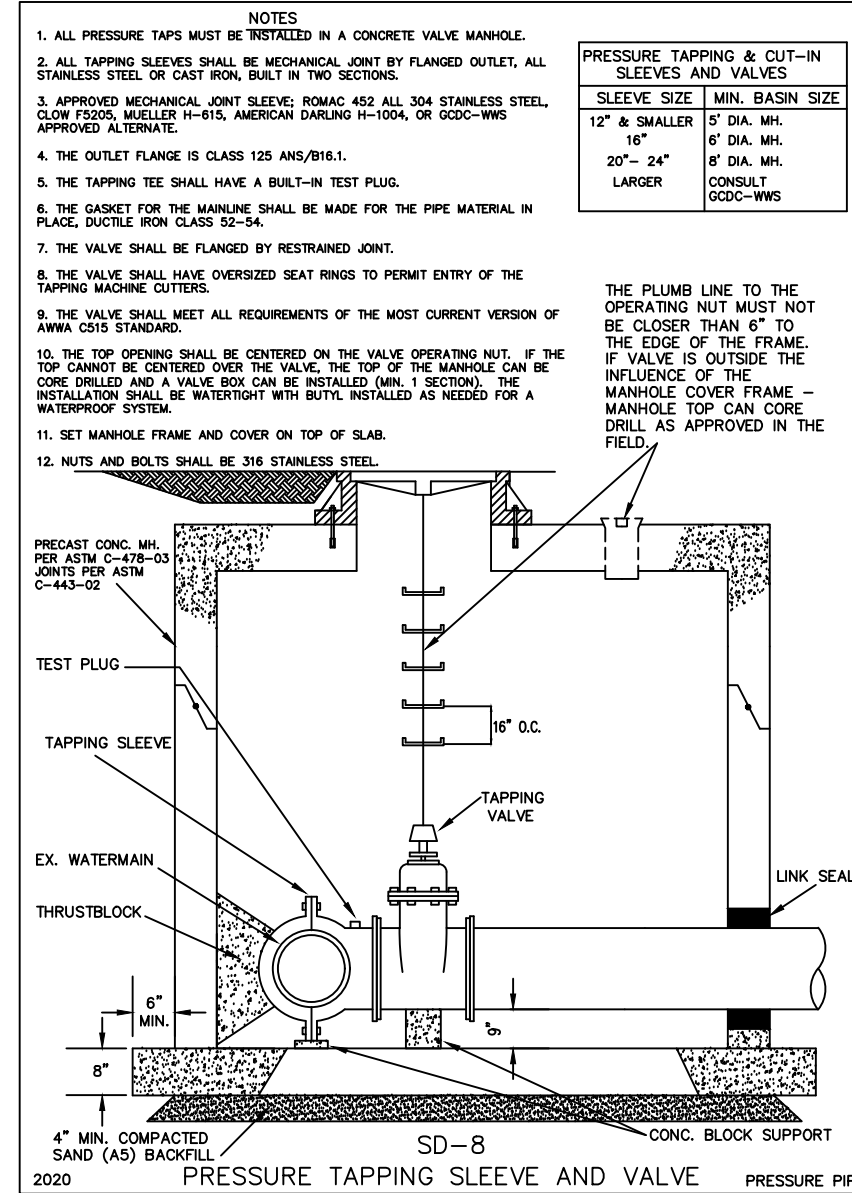


BEND TYPE	LENGTH (FT) OF RESTRAINT REQUIRED†						
	22 1/2°	33 3/4°	45°	56 1/4°	67 1/4°	78 3/4°	90° OR DEAD END
PIPE SIZE	3	6	11	16	23	29	37
6"	4	8	15	22	31	41	50
8"	5	11	18	28	38	49	61
10"	6	13	22	33	45	59	73
12"	7	16	28	37	52	69	84
14"	8	19	30	42	59	77	95
16"	9	22	35	53	73	95	118
18"	10	25	38	58	81	106	130
20"	11	28	42	64	88	116	144
22"	12	31	46	70	96	126	156
24"	13	34	50	76	103	136	170
30"	15	41	59	92	125	165	199
36"	17	49	67	107	144	184	228
42"	19	57	75	113	157	206	255



SIZE AND MATERIAL	MIN. CASING MIN. WALL THICKNESS INCHES +	MIN. WALL THICKNESS INCHES
6\"/>		
8\"/>		
10\"/>		
12\"/>		



NO.	DATE	DESCRIPTION
1	2020	EIGHTH EDITION

DIVISION OF
WATER & WASTE SERVICES
PRESSURE PIPE CONSTRUCTION

STANDARD DETAILS
For the Construction of Sanitary Sewers & Watermain in Genesee County

